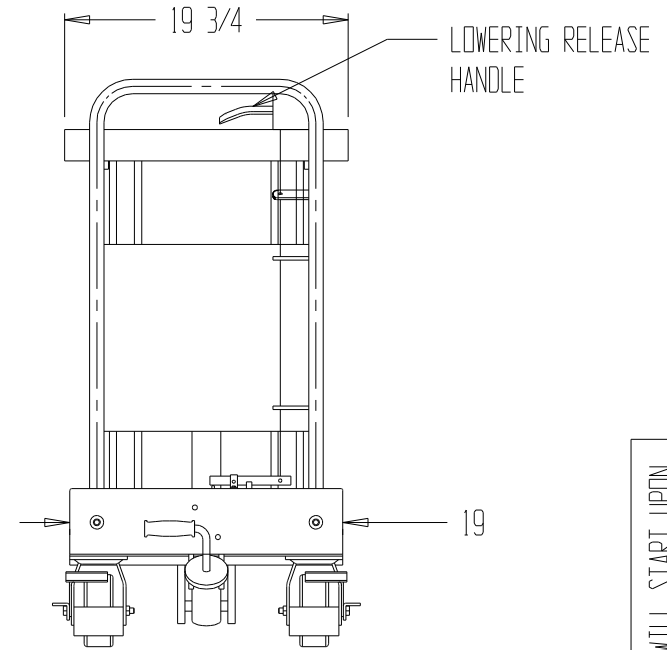
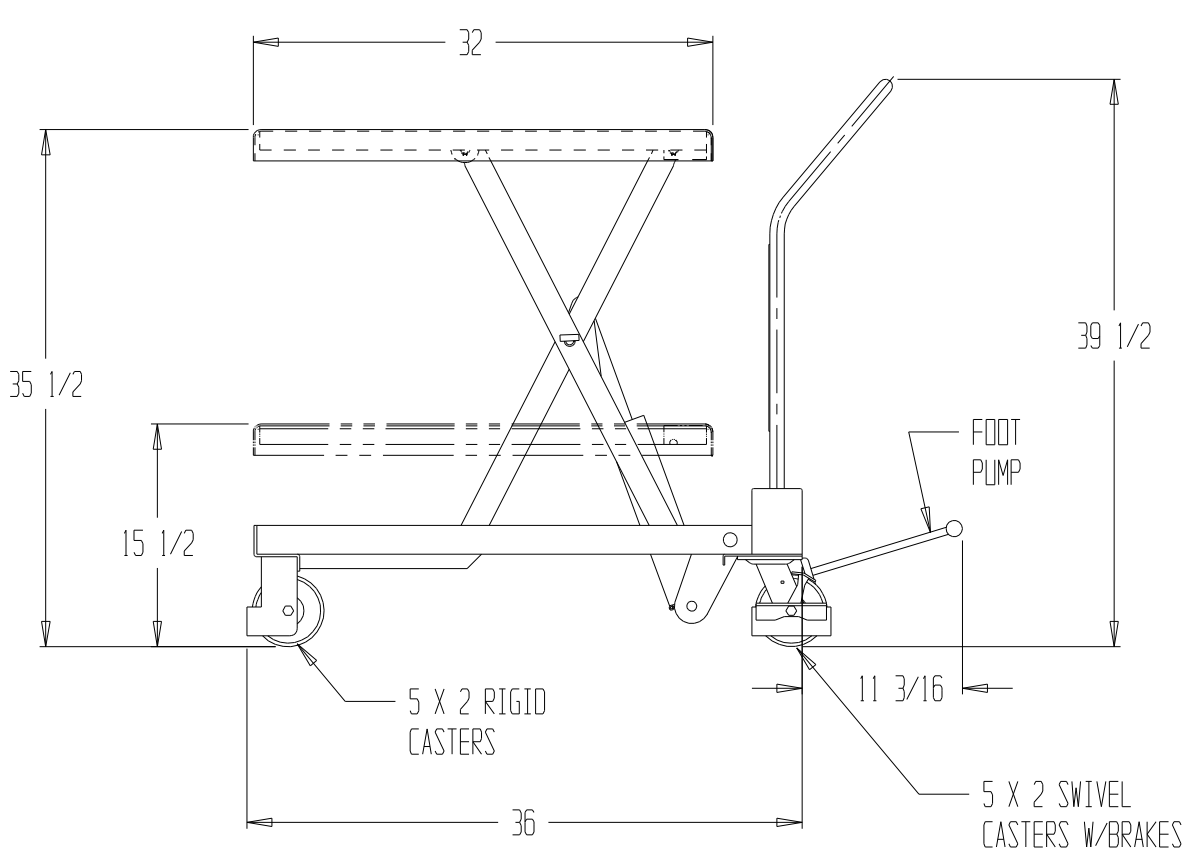


SCISSOR HYDRAULIC ELEVATING CART, CART-1000-TS

****Any additions, deletions or omissions must be corrected on this drawing, as this drawing will be considered all inclusive.****



LEAD TIME WILL START UPON RECEIPT OF SIGNED APPROVAL DRAWING

STANDARD FEATURES

- MODEL NUMBER: CART-1000-TS
- CAPACITY: 1000 LBS.
- PLATFORM WIDTH: 19 3/4" ± 1/4"
- PLATFORM LENGTH: 32" ± 1/4"
- PLATFORM RAISED HEIGHT: 35 1/2"
- PLATFORM LOWERED HEIGHT: 15 1/2"
- STANDARD TWO SPEED FOOT PUMP

SPECIAL FEATURES

NONE

**SPECIAL UNITS ARE NON-RETURNABLE
*AVAILABLE AT ADDITIONAL COSTS

*** ALL GRAPHICS PROVIDED ARE FOR REFERENCE ONLY.
IF CERTAIN DIMENSIONS ARE CRITICAL PLEASE VERIFY
THOSE DIMENSIONS WITH YOUR SALESPERSON. ***

APPROVAL

I, the undersigned, hereby approve this print
 As drawn As marked

This includes my approval of design & dimensions.

Signed: _____

Date: _____

DISTRIBUTOR'S NAME:		P.O.#: _
VESTIL MANUFACTURING		W.O.#: _
DRAWN BY: SR	DATE: 2-22-06	SALES: _
REFERENCE:		DRWG./FILE NAME:
-	SCALE: 1:14	CART-1000-TS